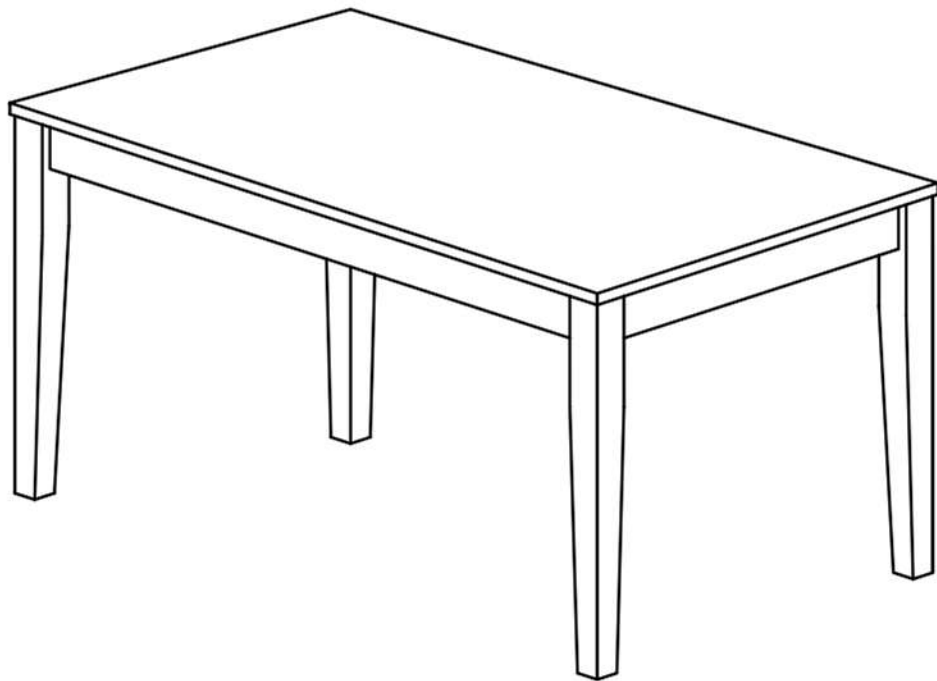
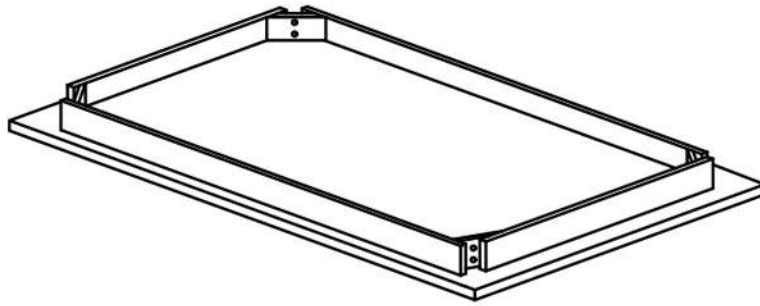


SOMIN

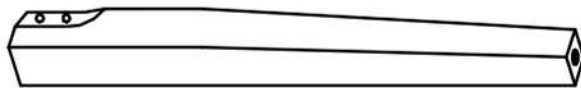


A

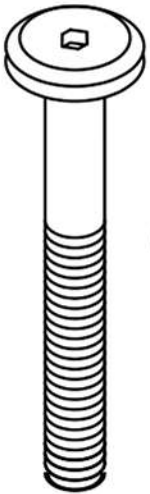


x 1

B



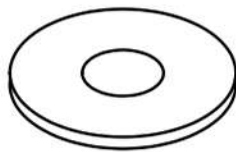
x 4



1

x 8

2



x 8

3

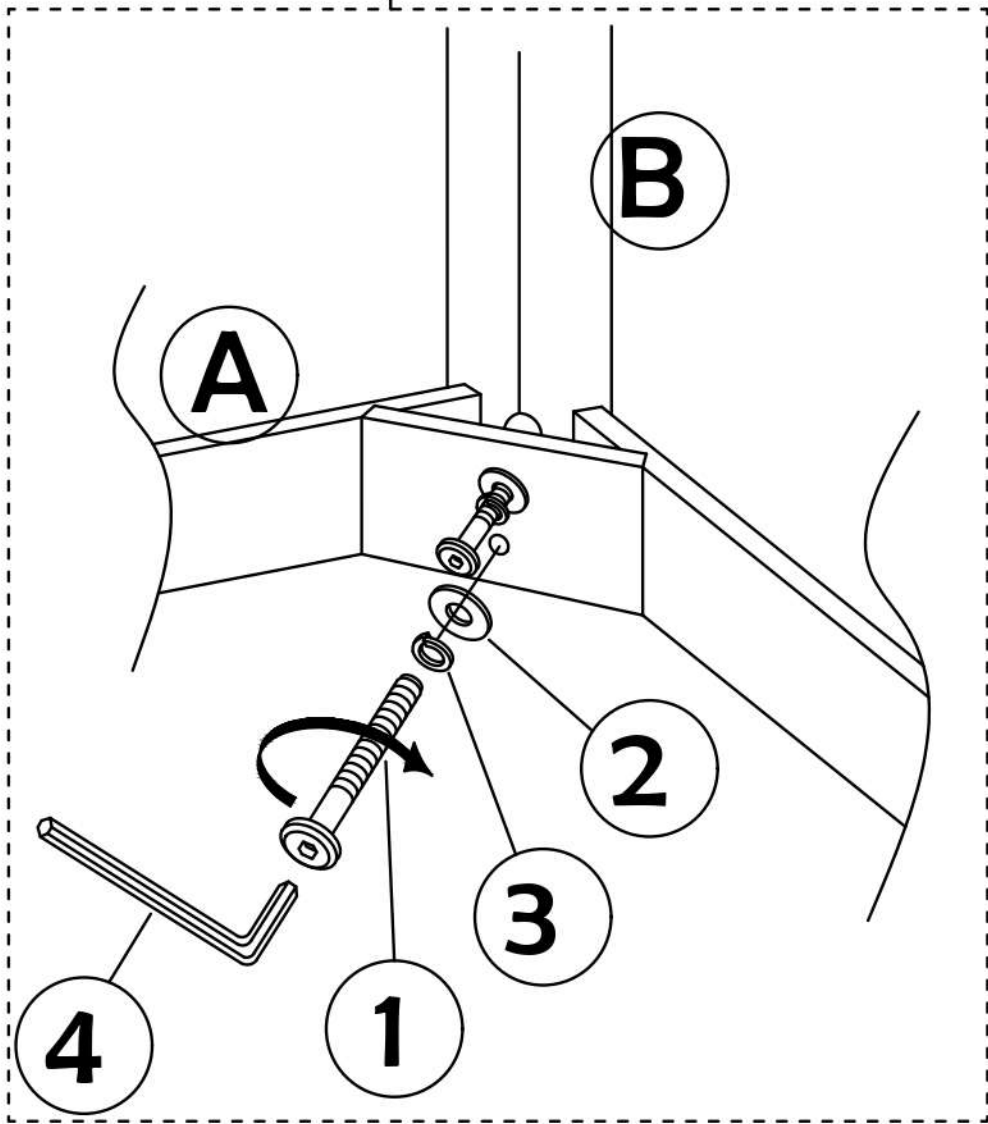
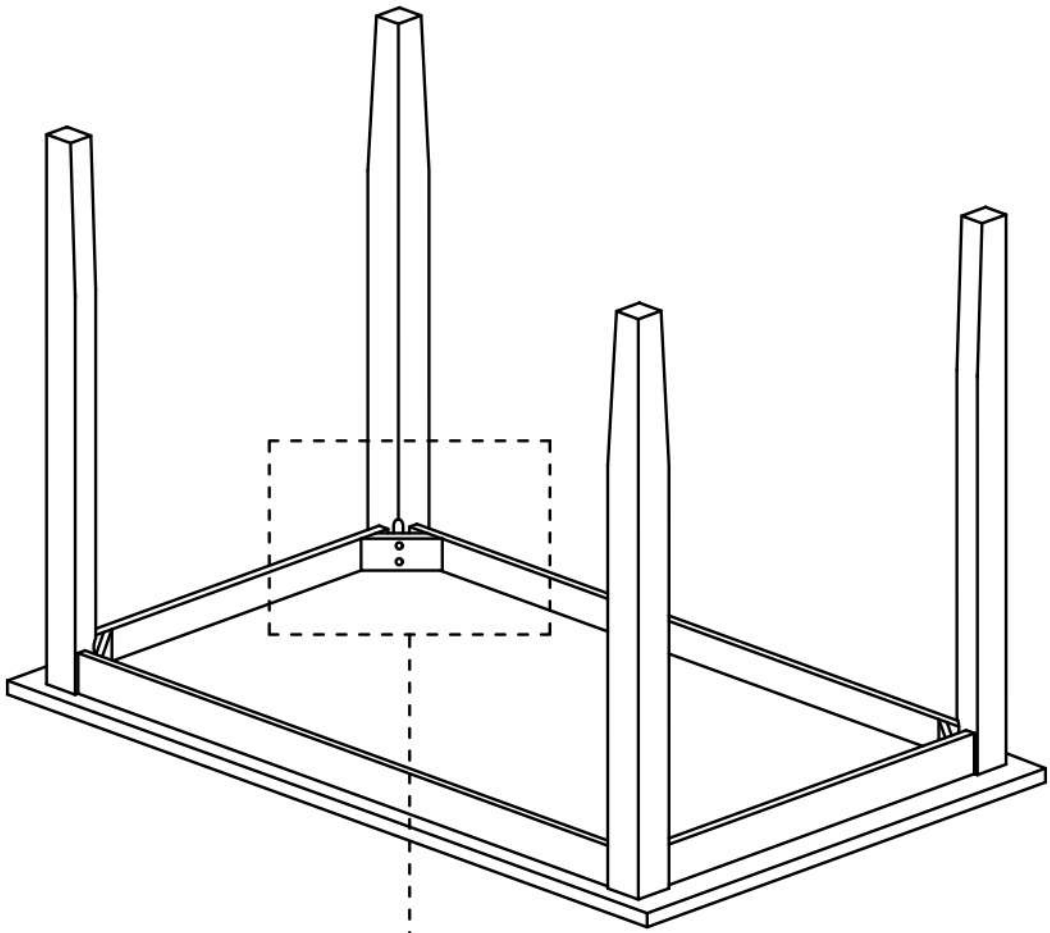


x 8

4



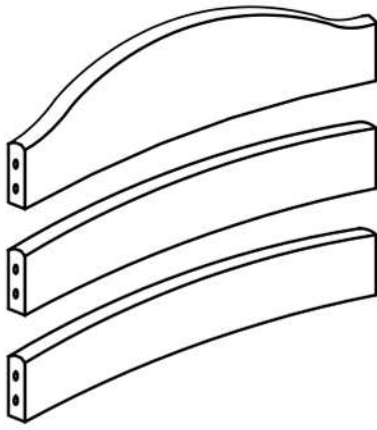
x 1



SOMIN

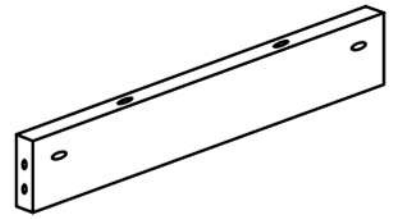


A



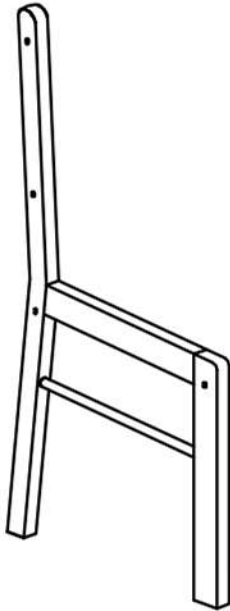
x 1

B



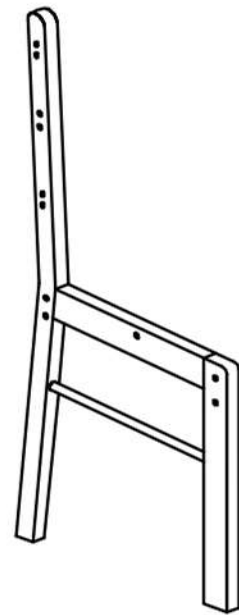
x 2

C



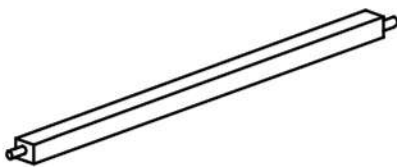
x 1

D



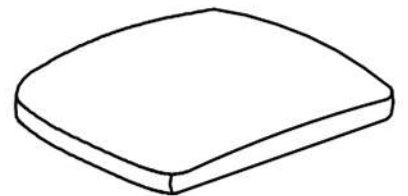
x 1

E



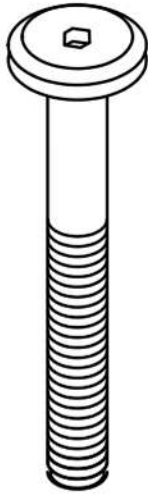
x 1

F



x 1

1



1

x 8



2

x 4



3

x 12



4

x 8



5

x 1

2

